

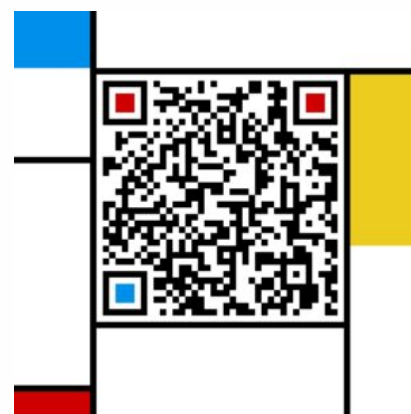
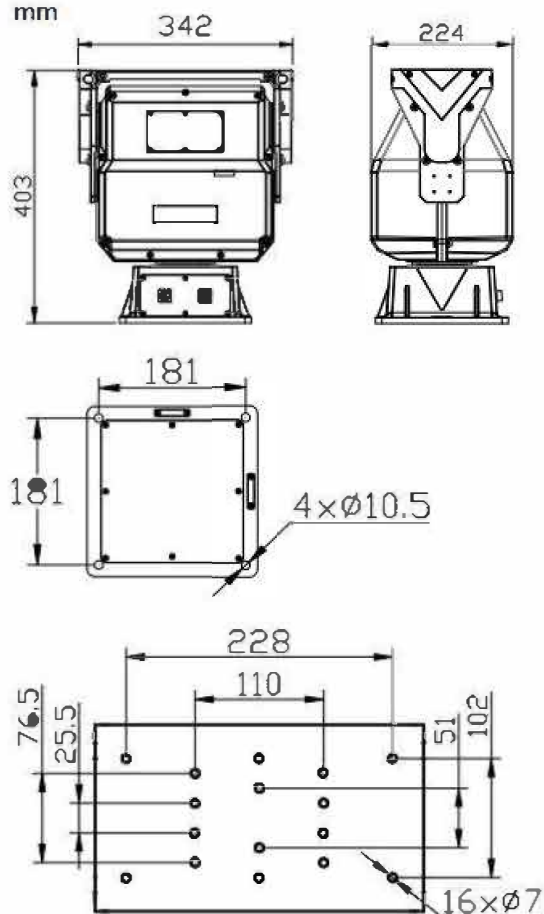


# Seetong Europa Pan/Tilt Motor Duty

## Pan/Tilt Specifications

PT	Load Duty : 50kg
	Pan: 360°continuously, Tilt: +45°~-45°
	Pan: 0.01~30°/S, Tilt: 0.01~15°/S
	Preset: 200 with patrol and scan function
Protocol	Pelco-D/P,
	RS485, Support angle query return
	RJ45
Power Supply	AC24V±25%, 50/60Hz or DC24V±10%
Power Consumption	≤80W without heater; ≤115W with heater
Working Tem.	-25°C~+65°C 90±5%RH without heater
	-40°C~+70°C 90±5%RH with heater
Storage Tem.	-40°C~+70°C
Dimension	342mm×224mm×403mm(L*W*H)
Others	IP66
	23 kg

Unit: mm



LASER & THERMAL CAMERAS / 100M-15KM IN TOTAL DARKNESS

Contact Person: Alejandro Email: [alejandro.serrano@smart-domohouse.com](mailto:alejandro.serrano@smart-domohouse.com)

Mob/Whatsapp: +41 798459710